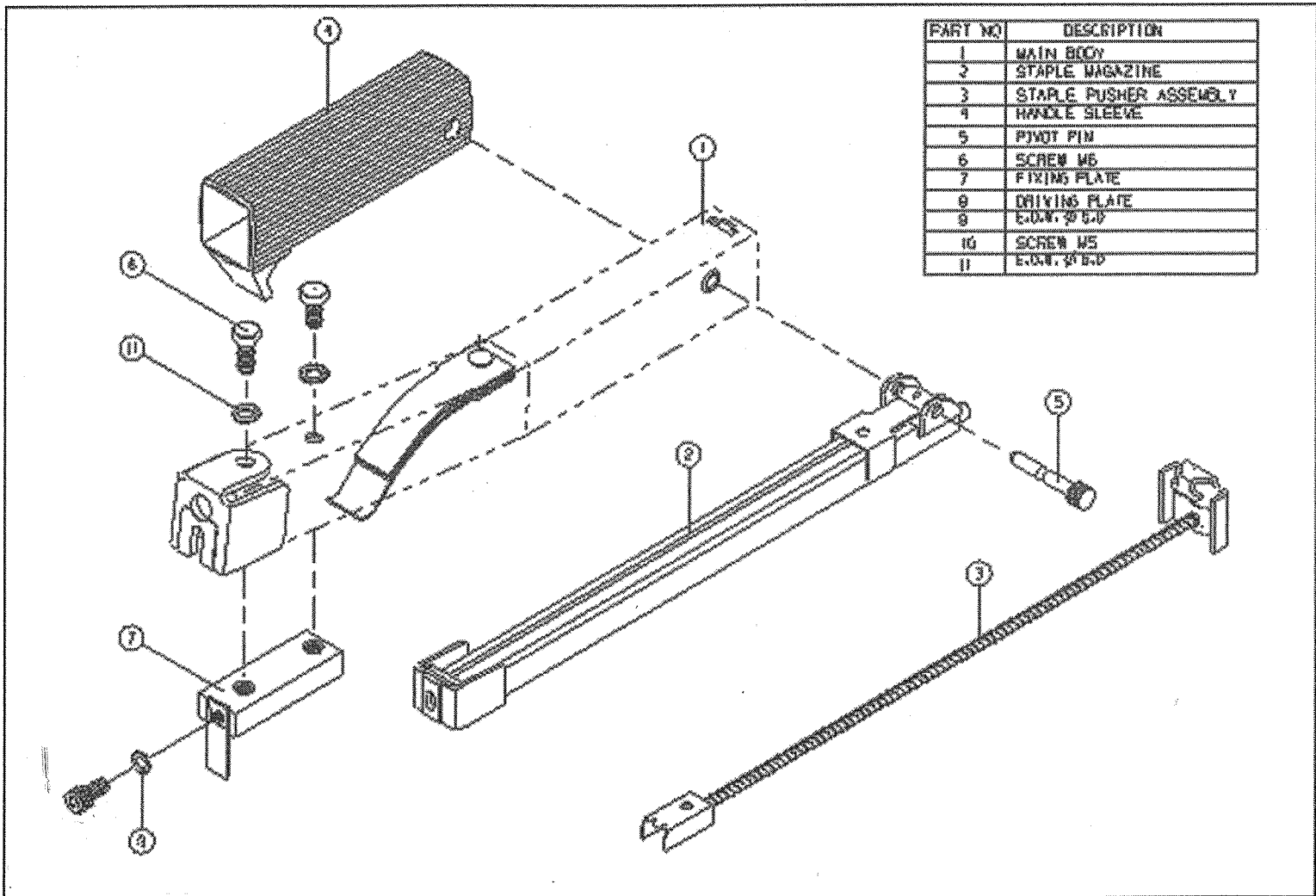


S11 & G11P-S/05 Hammers



Part No	Description
G11 - 03	Pusher assy
G11 - 04	Handle grip
G11 - 05	Pivot pin